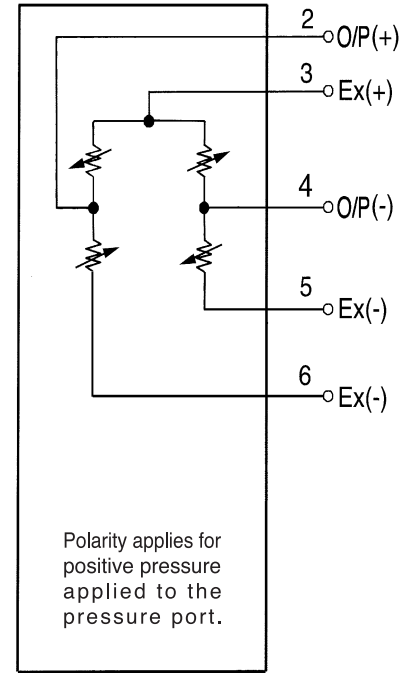


Characteristics

Supply Voltage: 5DC Ambient Temperature: 25°C (Unless Otherwise Specified)

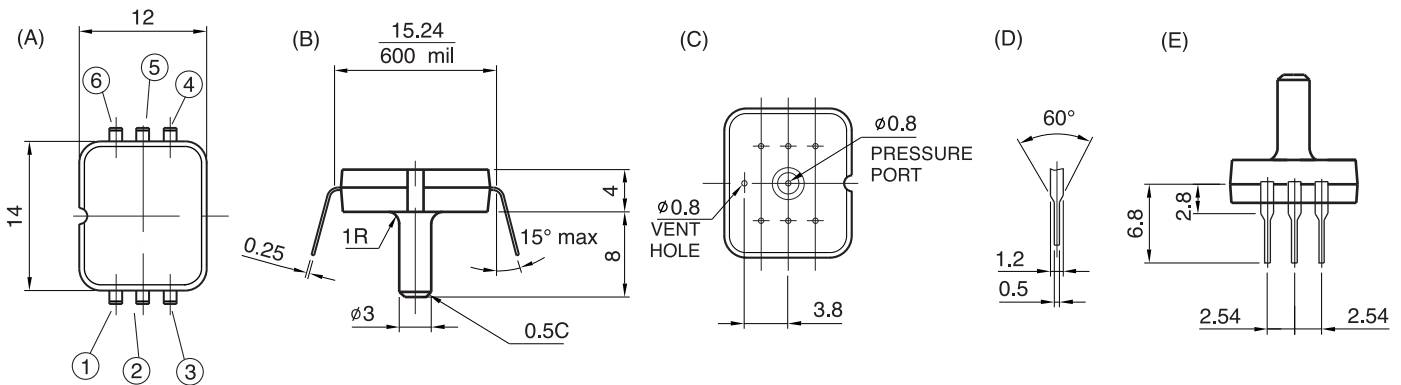
Parameter	Min	Typ	Max	Units
Excitation Voltage	0	5.0	10.0	Volts
Excitation Current	0	1.5	3.0	mA
Span (FS Range)				
5 PSI	70	100	130	mV
15 PSI	110	145	180	mV
30 PSI	125	165	200	mV
100 PSI	125	200	255	mV
Offset	-50	0	50	mV
TC Span	-27	-22	-17	%FS/100°C
TC Offset	-7		+7	%FS/100°C
TC Resistance	23	28	33	%FS/100°C
Linearity	-0.3	±0.1	+0.3	%FS
Bridge Impedance	2.7	3.3	4.0	KΩ
Pressure Overload			2X	Psi
Operating Temp	-20		85	°C
Storage Temp	-30		125	°C



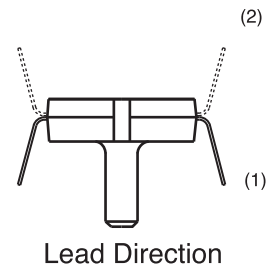
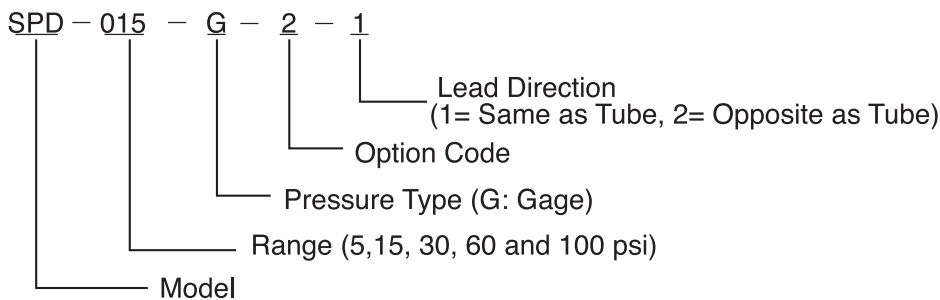
Notes:

1. Best Fit Straight Line.
2. Wetted material are glass, Ryton, silicon, fluorosilicon and gold(absolute).

Dimension



Ordering Information



400, Sec. 4, Ting Tsao Rd., Lu-Kang,
Chang Hua, Taiwan, R.O.C. 505
TEL: 886 4 7716208
FAX: 886 4 7715540

Additional Products

- Digital Pressure Meter
- Pressure Transducer