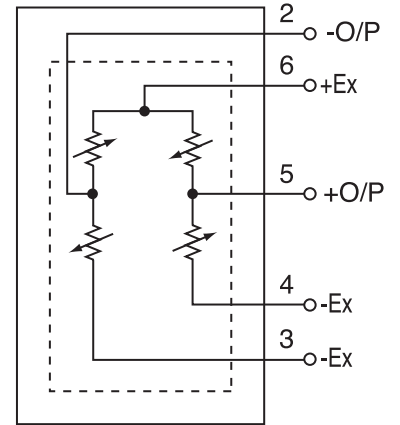


Characteristics

Supply Voltage: 5Vdc Ambient Temperature: 25°C (Unless Otherwise Specified)

Parameter	Min	Typ	Max	Units
Excitation Voltage	0	5.0	10.0	Volts
Excitation Current	0	1.5	3.0	mA
Span (FS Range)				
6 PSI	70	100	130	mV
Offset	-30	0	+30	mV
TC Span	-2500	-2000	-1500	ppm
TC Offset	-700		+700	ppm
Linearity	-0.5	± 0.2	+0.5	%FS
Bridge Impedance	4.0	5.0	6.0	KΩ
Pressure Overload			2X	°C
Operating Temp	-20		85	°C
Storage Temp	-30		125	

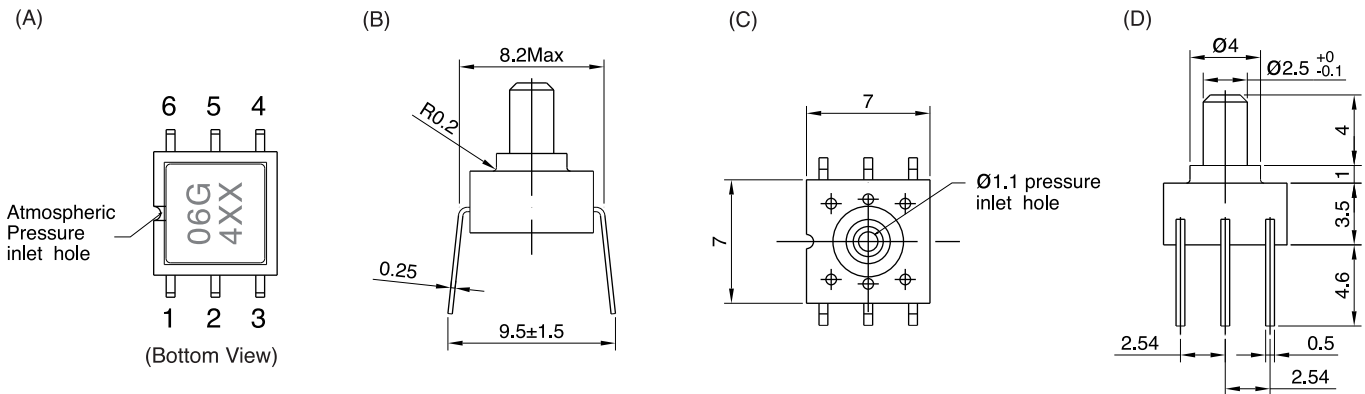


PRESSURE SENSOR EQUIVALENT CIRCUIT

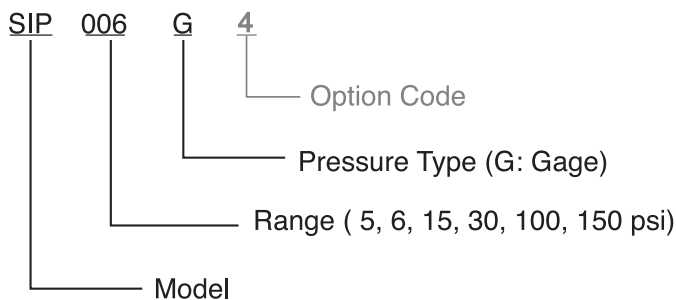
Notes:

1. Best Fit Straight Line.
2. Wetted material are Ryton, silicon and RTV.
3. Specifications may vary depending on the die index.
4. Temperature coefficient are measured from -10°C to 60°C.

Dimension



Ordering Information



Note: All units in mm



400, Sec. 4, Ting Tsao Rd., Lu-Kang,
Chang Hua, Taiwan, R.O.C. 505
TEL: 886 4 7716208
FAX: 886 4 7715540

Additional Products

- Digital Pressure Meter
- Pressure Transducer